

# Product data sheet

## Characteristics

# 9070T50D1

Transformer, Type T, industrial control, 50 VA,  
240/480 VAC primary / 120 VAC secondary, 1  
phase, 50/60 Hz, 55 °C rise



Product availability: Stock - Normally stocked in distribution facility

Price\*: 116.00 USD



### Main

Product or component type	Industrial Control Transformer
Rated power in VA	50 VA
Range of product	T

### Complementary

Phase	1 phase
Rated power in VA	50 VA
Temperature rise	55 °C
Electrical connection	Screw clamp terminals
Height	2.58 In (65.53 mm)
Width	3 In (76.20 mm)
Depth	3.09 In (78.49 mm)
Material	Copper winding
Product compatibility	FSC1

### Environment

Product certifications	UL listed file E61239 CSA file LR37055 guide 184-N-90
NEMA degree of protection	Not rated (open device)
Insulation temperature	221 °F (105 °C)

### Ordering and shipping details

Category	16200 - 9070 T (NOT TF) 50-200VA
Discount Schedule	CP8
GTIN	00785901904632
Nbr. of units in pkg.	1
Package weight(Lbs)	2.49 Lb(US) (1.129 kg)

Returnability	Yes
Country of origin	MX

### Packing Units

Unit Type of Package 1	PCE
Package 1 Height	3.70 In (9.398 cm)
Package 1 width	4.10 In (10.414 cm)
Package 1 Length	4.30 In (10.922 cm)

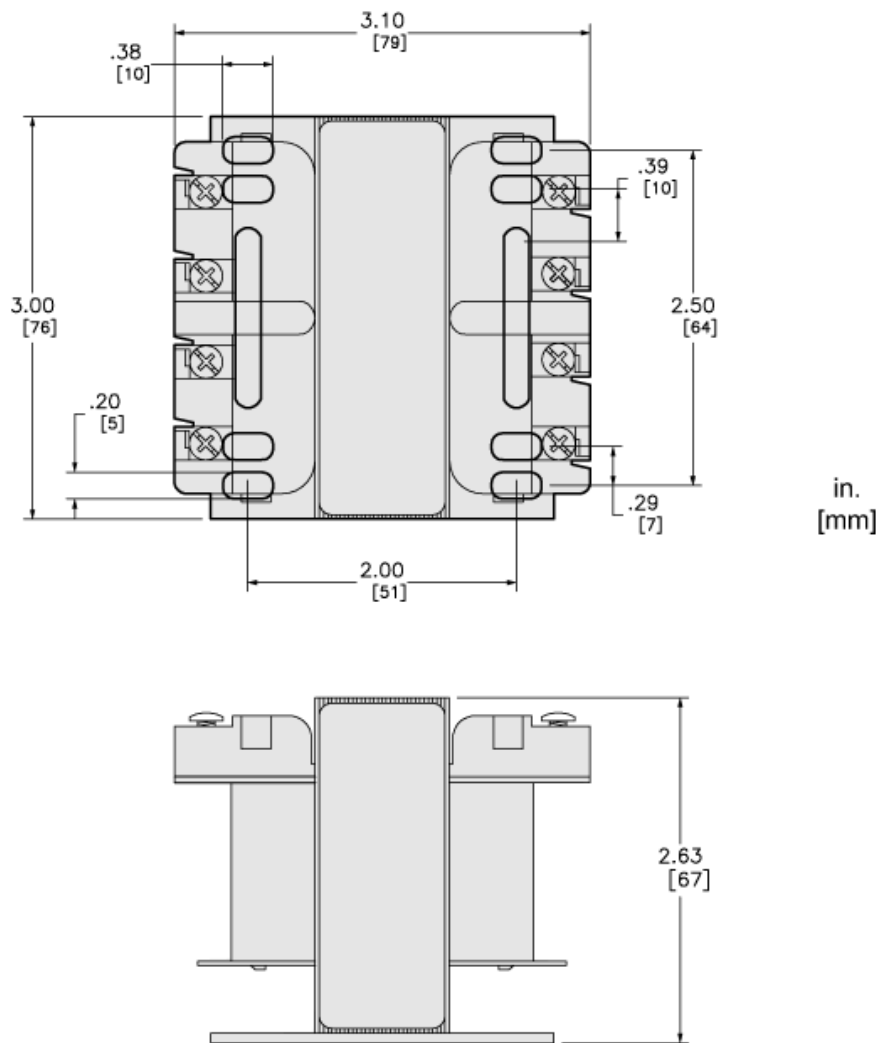
### Offer Sustainability

Sustainable offer status	Green Premium product
California proposition 65	WARNING: This product can expose you to chemicals including: Phenyl glycidyl ether, which is known to the State of California to cause cancer and birth defects or other reproductive harm. For more information go to <a href="http://www.P65Warnings.ca.gov">www.P65Warnings.ca.gov</a>
REACH Regulation	<a href="#">REACH Declaration</a>
EU RoHS Directive	Compliant <a href="#">EU RoHS Declaration</a>
Mercury free	Yes
RoHS exemption information	<a href="#">Yes</a>
China RoHS Regulation	<a href="#">China RoHS Declaration</a>
Environmental Disclosure	<a href="#">Product Environmental Profile</a>
PVC free	Yes

### Contractual warranty

Warranty	10 Years
----------	----------

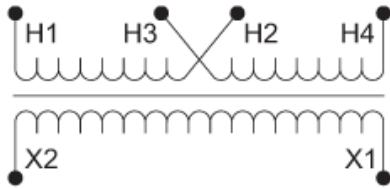
Approximate Dimensions



Connections and Wiring Diagrams

Voltage and Connection Options

Voltage Code	Voltages		Connections	
	Primary	Secondary	Primary	Secondary
D1	220 x 440	110	220/230/240 V: Connect to H1 and H4 Jumper H1 and H3	Connect to X1 and X2
	230 x 460	115	Jumper H2 with H4	
	240 x 480	120	440/460/480 V: Connect to H1 and H4 Jumper H2 with H3	



Product Life Status : Commercialised